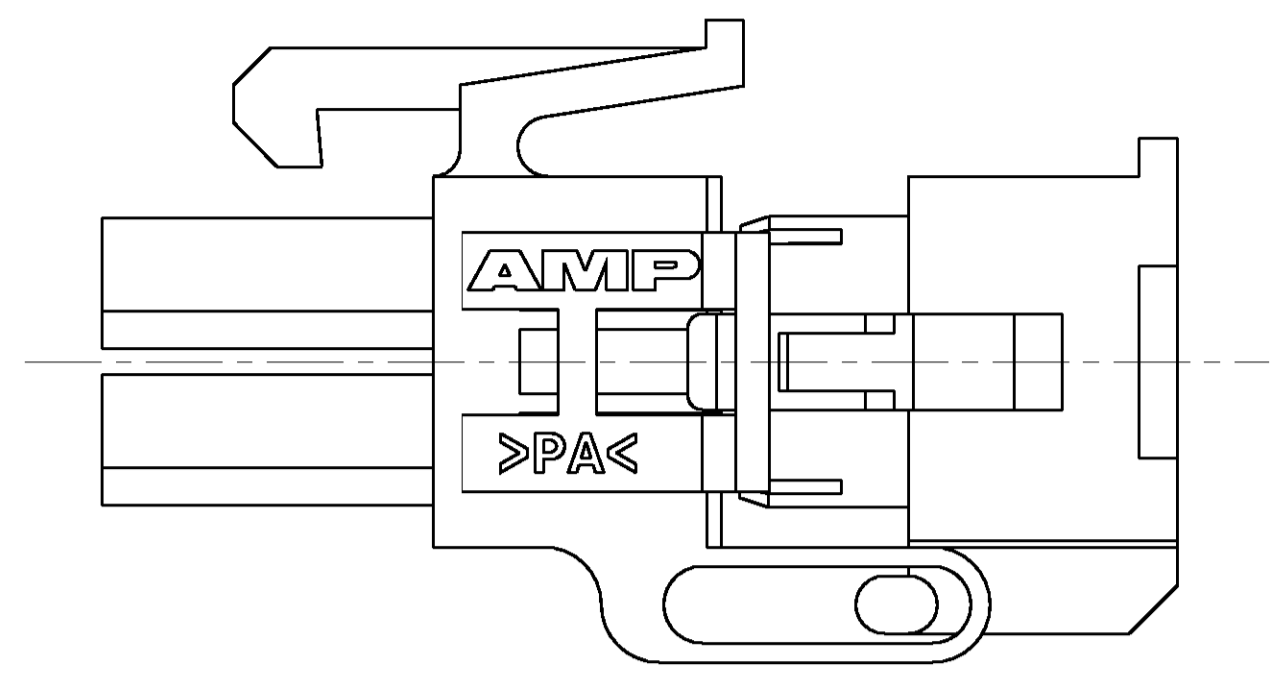
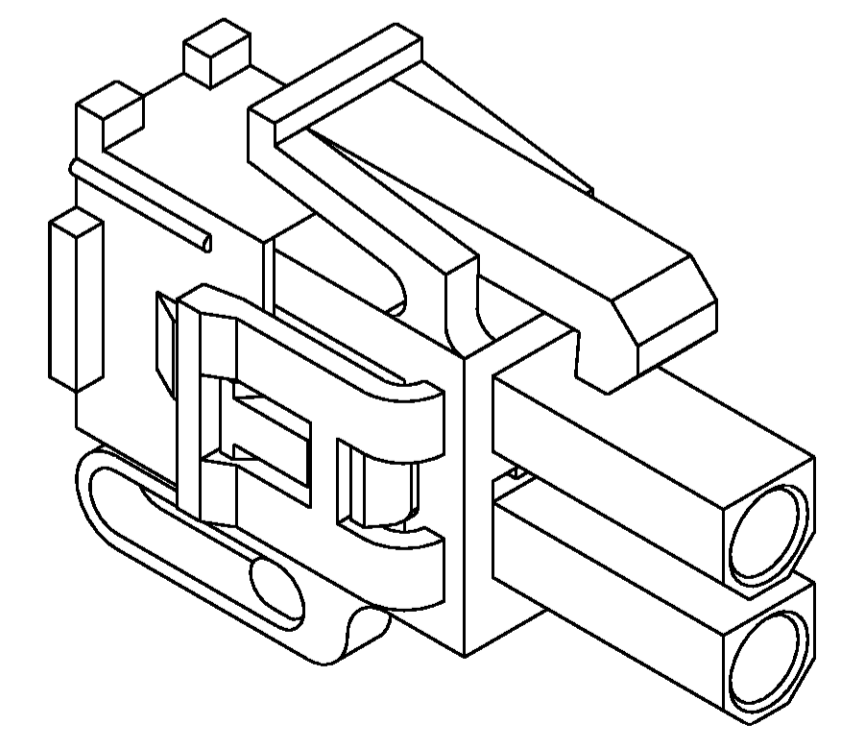
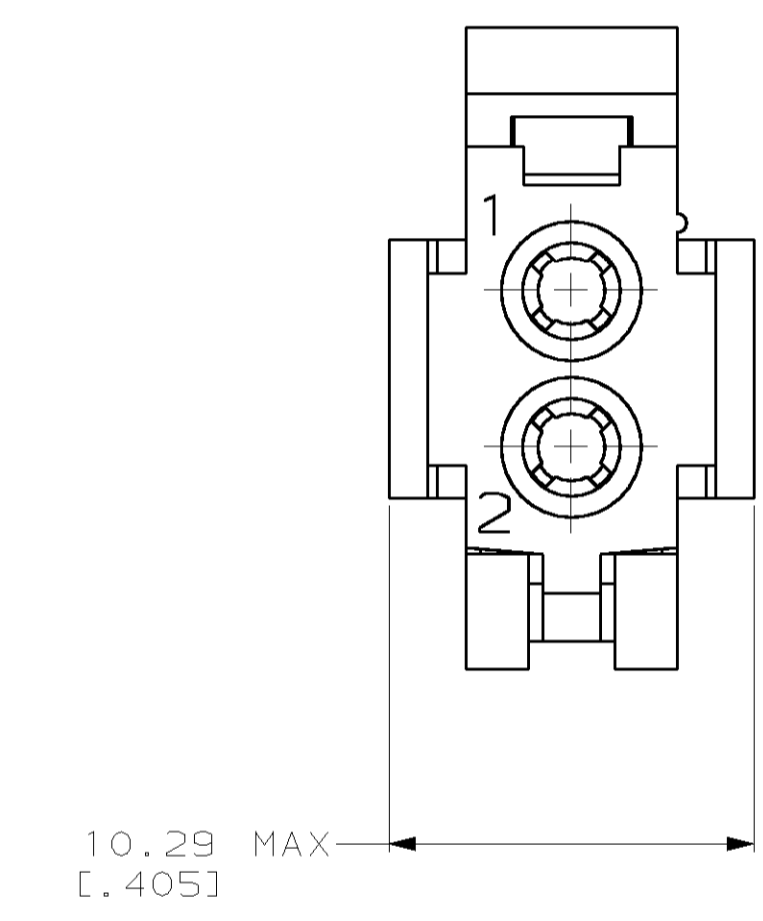
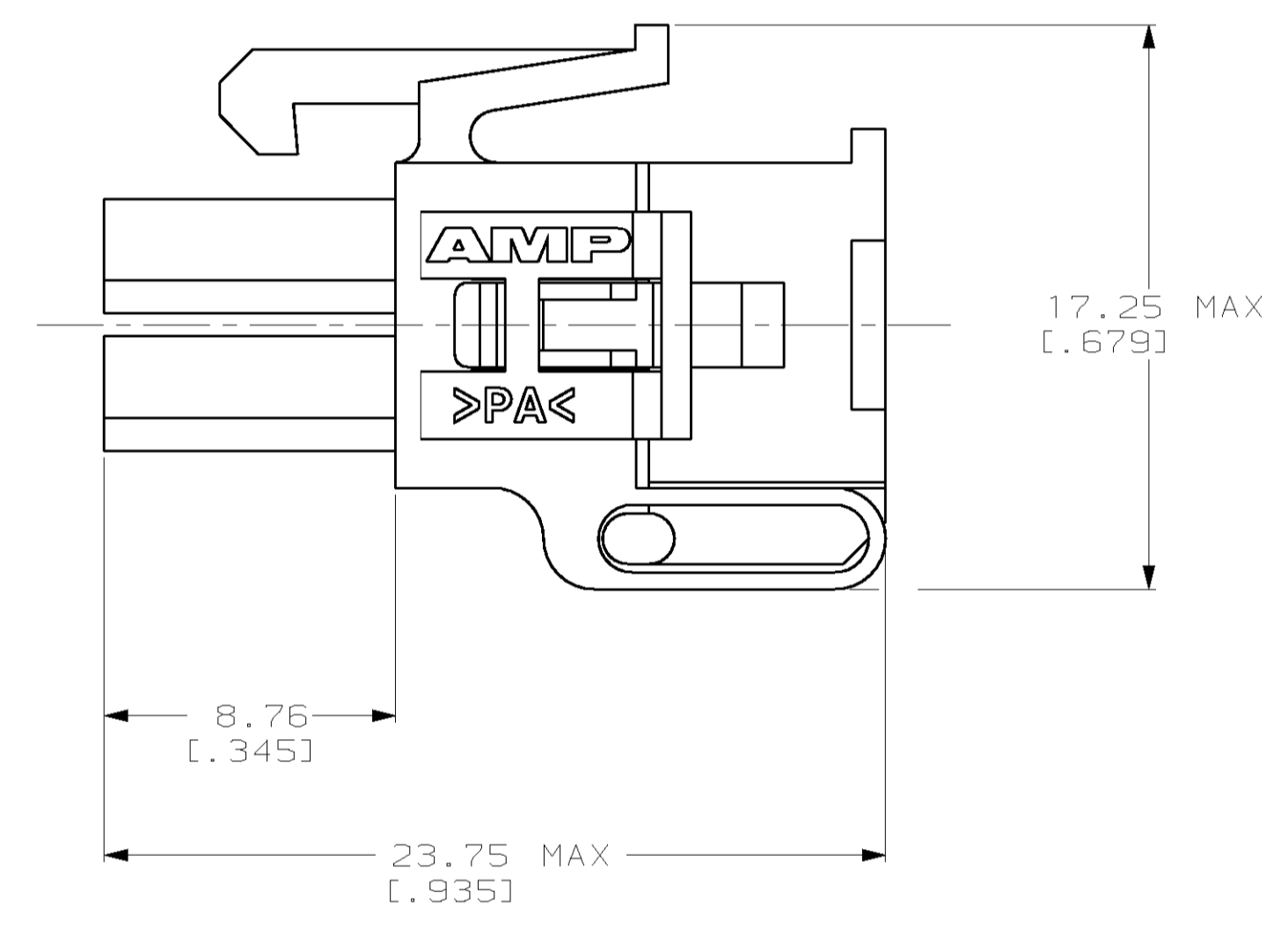
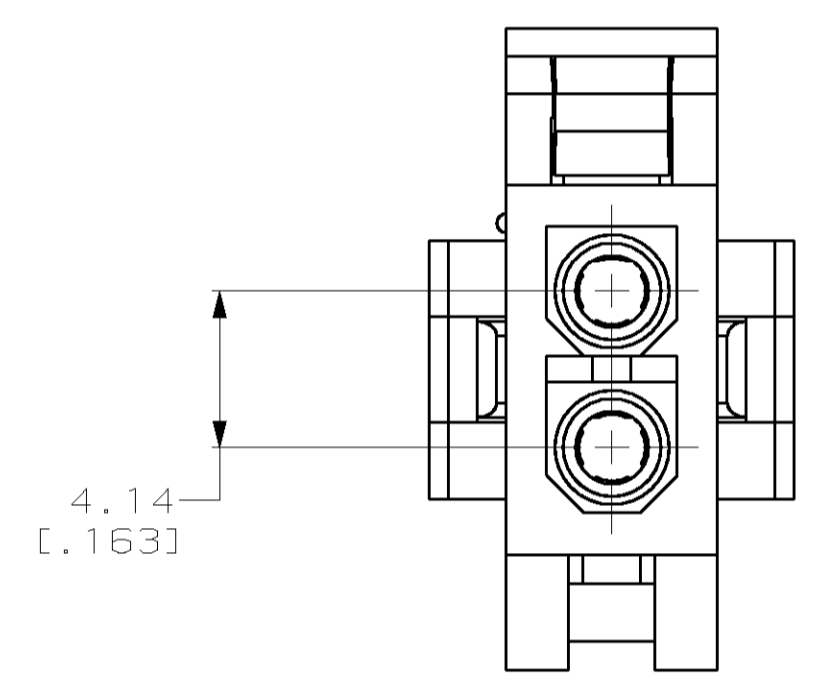


LOC	DIST	REVISIONS			
F	CHR	DESCRIPTION	DATE	OWN	APVD
C		REV PER EC 061B-0094-99	23-SEP-99	KW	KC



PRE-STAGED CONDITION

1. DIMENSIONS IN BRACKETS ARE IN INCHES.



3-DIMENSIONAL MODEL
NTS

794184-1
PART NUMBER



THIS DRAWING IS A CONTROLLED DOCUMENT.		DWN K. WHITAKER 5-09-97	AMP AMP Incorporated Harrisburg, PA 17105-3608
DIMENSIONS:		CHK R. SWING 5-09-97	
mm	TOLERANCES UNLESS OTHERWISE SPECIFIED:	APVD R. ORSTAD 5-09-97	NAME PLUG, 2 CIRCUIT, MINI UNIVERSAL MATE-N-LOK™ 2
0 PLC	±	PRODUCT SPEC	SIZE CAGE CODE DRAWING NO
1 PLC	±	APPLICATION SPEC	A1 00779 C-794184
2 PLC	±0.13 [0.005]	RESTRICTED TO	
3 PLC	±	WEIGHT	
4 PLC	±	CUSTOMER DRAWING	
ANGLES	±	SCALE	5:1
	±0°30'	SHEET	1 OF 1
MATERIAL NYLON, UL 94V-0,NATURAL	FINISH -	REV	C